
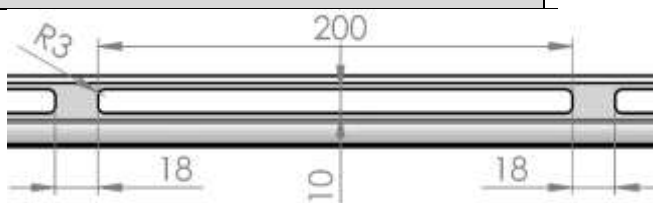


Technical Data Sheet

Description: Aluminum Security Shutter Slat – Air & Light
Code: ASS-55-CL

Dimensions	55mm x 9.5 mm	
Weight for 1m ²	9.4 kg ^[1]	
No. of slats in 1m height	18.18	
Aluminum thickness	1 mm	
Max. Width	4 m	
Max. Height	3 m	





Box size according to the height of the shutter(mm)		
Box size	With tube 60 mm ^[2]	With tube 70mm ^[2] or circular 90 mm
180	1145	1035
205	1590	1480
250	2960	2850
300	3000	3000

[1] end locks weight is included

[2] using security hangers